

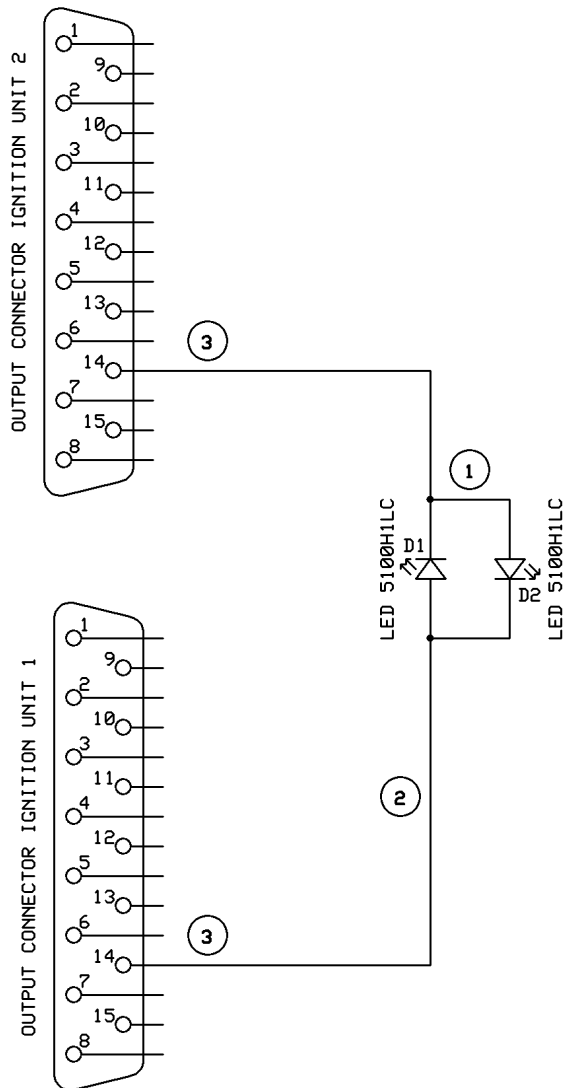
INDICATION:

SYST 1 AND SYST 2 "OFF" = NO LIGHT

SYST 1 AND SYST 2 "ON" = NO LIGHT

SYST 1 "ON" AND SYST 2 "OFF" = D1 LIGHT ON

SYST 1 "OFF" AND SYST 2 "ON" = D2 LIGHT ON



- ① INSTALL TWO 1.8V LOW CURRENT RED LED LIGHTS ABOVE OR BELOW IGNITION SWITCH(ES).

LED PART NUMBER: 5100H1LC
LEDs HAVE A (+) AND A (-)
LEAD AND MUST BE INSTALLED
WITH OPPOSITE POLARITY.

- ② USE MINIMUM #24 AWG STRANDED WIRE.

- ③ PIN 14 MAY ALSO BE USED TO SUPPLY LCD DISPLAY POWER.

Light Speed Engineering, LLC
Dual Ignition Indicator Lights